



ABANAKI
CORPORATION
17387 Munn Road
Chagrin Falls, OH 44023
Phone: (440) 543-7400
Fax: (440) 543-7404
1-800-358-5KIM (7546)
www.abanaki.com



TRUST & RESPECT



CAN DO

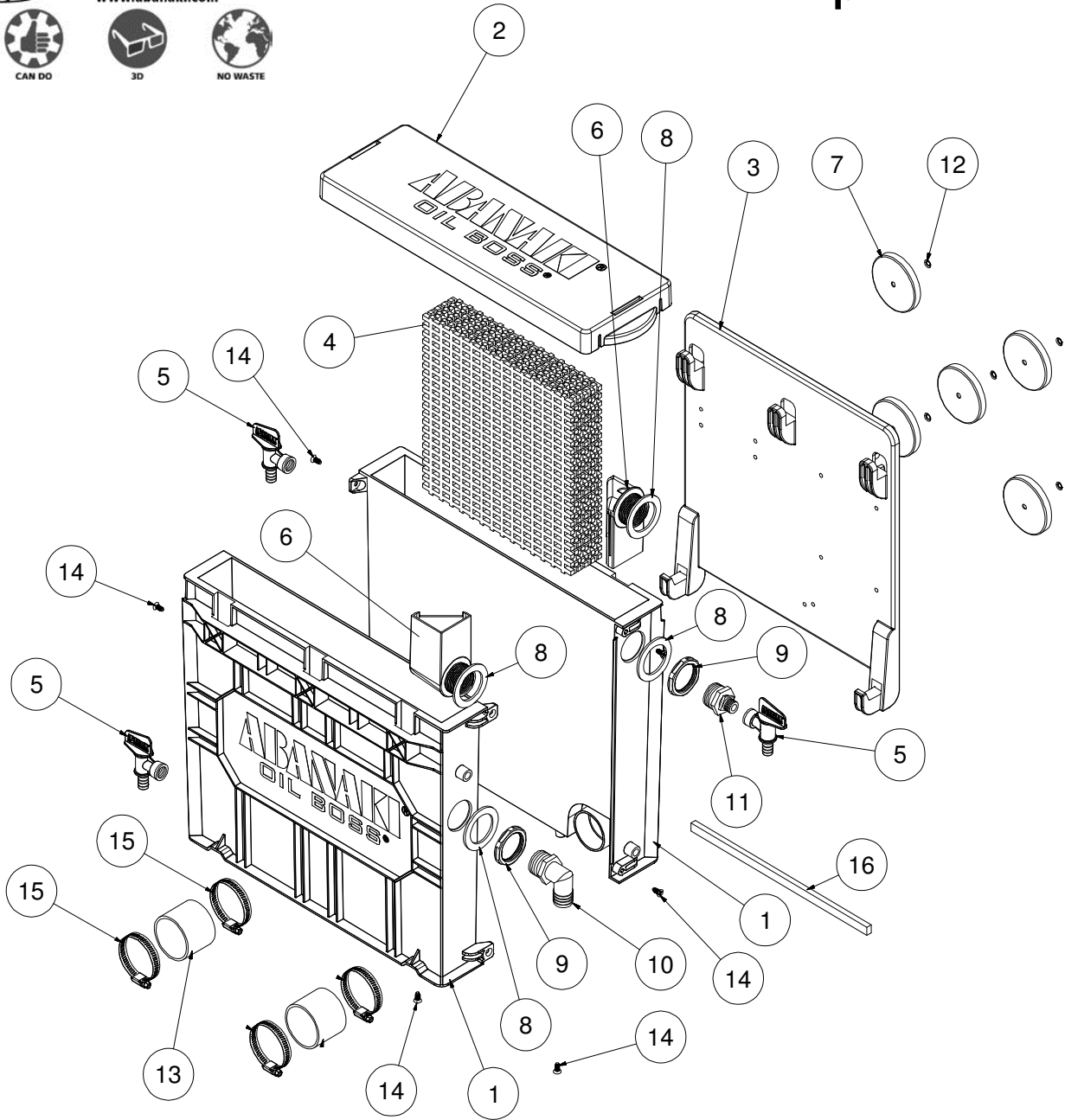


3D



NO WASTE

Oil Boss® Assembly and Operation Manual



Item	Qty	Part Name	Part Number	Item	Qty	Part Name	Part Number
1	2	Tank Halve	POC300-01	9	2	Diverter Nut 1-1/4" NPT	POC300-20
2	1	Tank Lid	POC300-04	10	1	Elbow, 90° Male, 1"x1-1/4"	POC300-19
3	1	Back Plate	POC300-03	11	1	1" Male NPT/3/8" Male NPT	POC300-21
4	1	Filter Media	POC300-14	12	5	1/4" push nut	PMM-18
5	3	Shutoff Valve - 3/8"	POC300-02	13	2	Tank Connecting Hose	POC300-15
6	2	Diverter	POC300-05	14	6	#12-24 x 1/2" Lg. Screw	POC300-07
7	5	Magnet	POC300-31	15	4	2-1/2" Hose Clamp	POC300-13
8	4	Washer 1-11/16" I.D. x 2-7/16" O.D.	POC300-16	16	1	13" Lg. Foam Leveling Strip	POC300-11



ABANAKI CORPORATION
 17387 Munn Road
 Chagrin Falls, OH 44023
 Phone: (440) 543-7400
 Fax: (440) 543-7404
 1-800-358-SKIM (7546)
 www.abanaki.com



TRUST & RESPECT



CAN DO

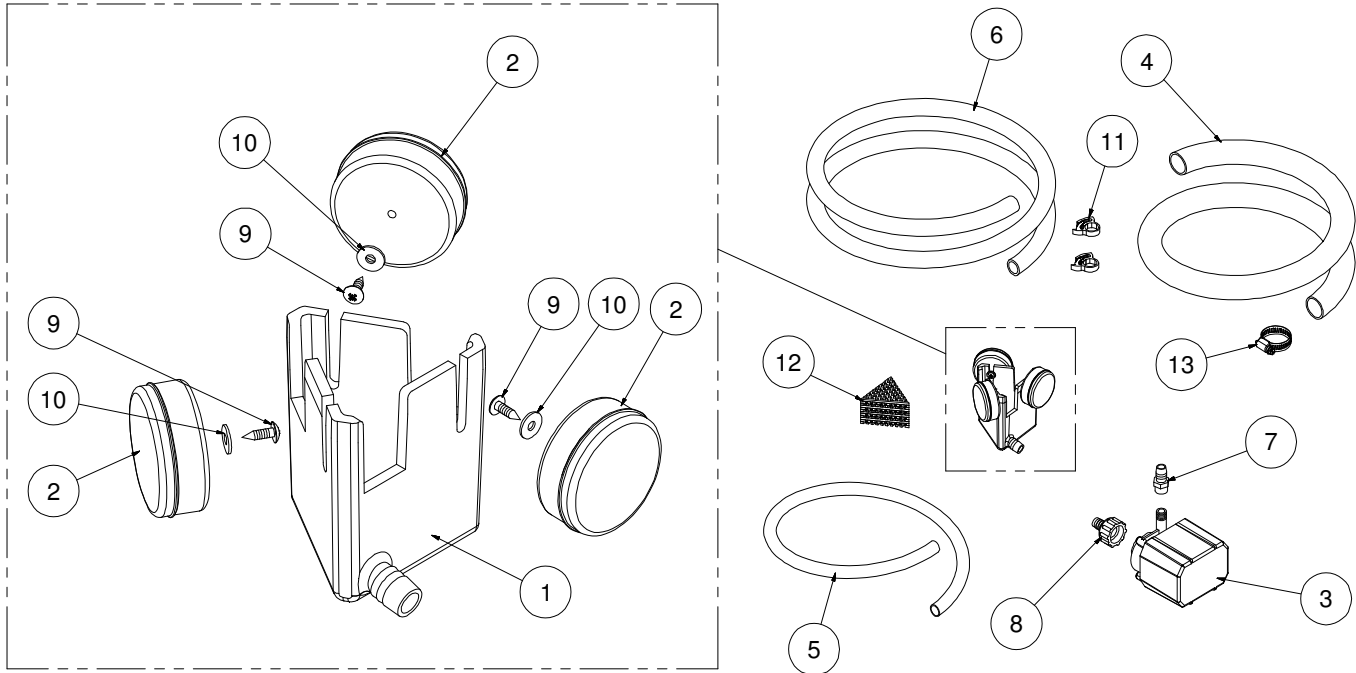


3D



NO WASTE

Oil Boss® Assembly and Operation Manual



Item	Qty	Part Name	Part Number	Item	Qty	Part Name	Part Number
1	1	Float	POC300-06	8	1	Pump to Hose Ftg. (1/2" Barb x 3/4" Female)	POC300-12
2	3	Float Wheel	POC300-17	9	3	#8-32 x 1/2" S.S. Screw	POC300-24
3	1	Pump	M15-E	10	3	#10 S.S. Washer	POC300-23
4	1	1-1/4" Black Ribbed Hose x 6' Lg.	POC300-10A	11	2	1/2" Plastic Hose Clamp	POC300-08
5	1	1/2" Black Ribbed Hose x 15" Lg.	POC300-10	12	1	Foam Float Filter	POC300-06A
6	1	1/2" Clear Hose x 7' Lg.	POC300-10B	13	1	1-1/4" Steel Clamp	VOC-300-10D
7	1	1/4" Female to 1/2" Barbed Ftg.	POC300-18				

Copyright 2016 by ABANAKI CORPORATION. All rights reserved. No part of this work covered by copyright may be reproduced or used in any form or by any means without written permission of Abanaki Corporation. Abanaki reserves the right to make changes to the Oil Boss parts list at any time, without notice.
 Note: All parts shown may not be standard. 08/16