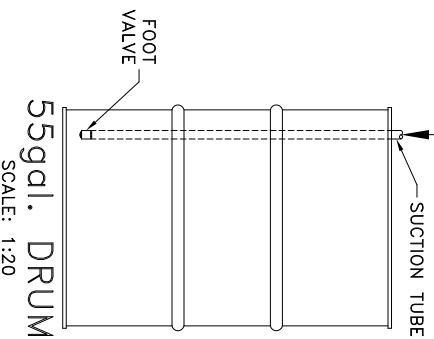
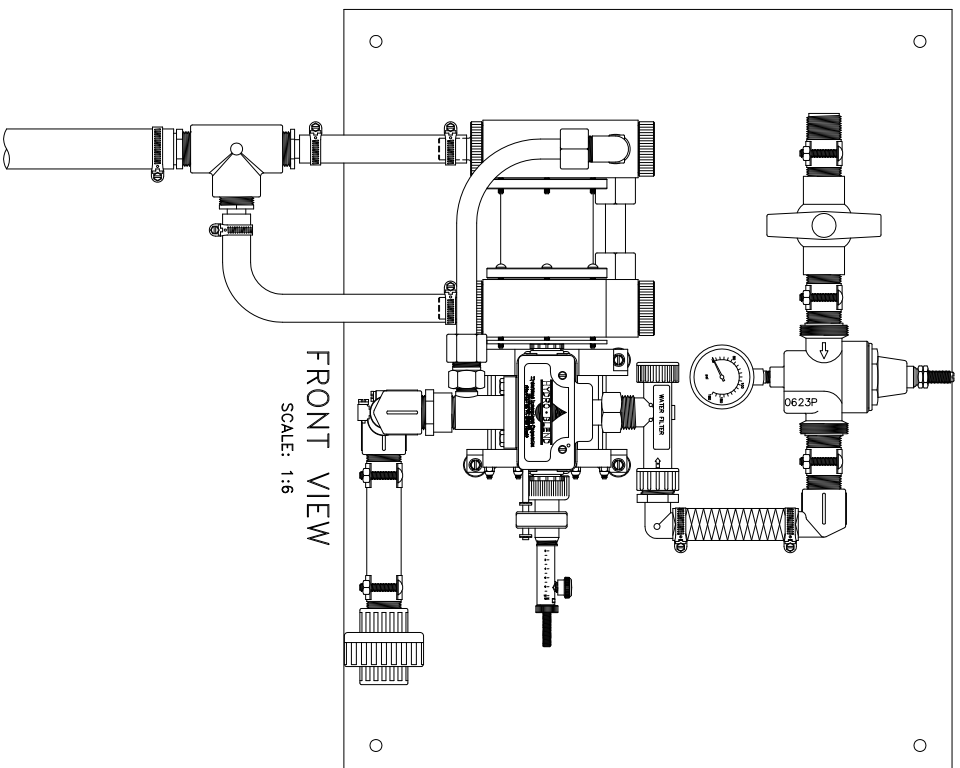
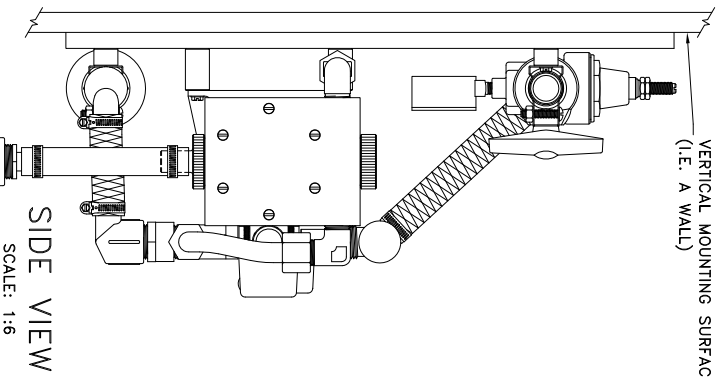

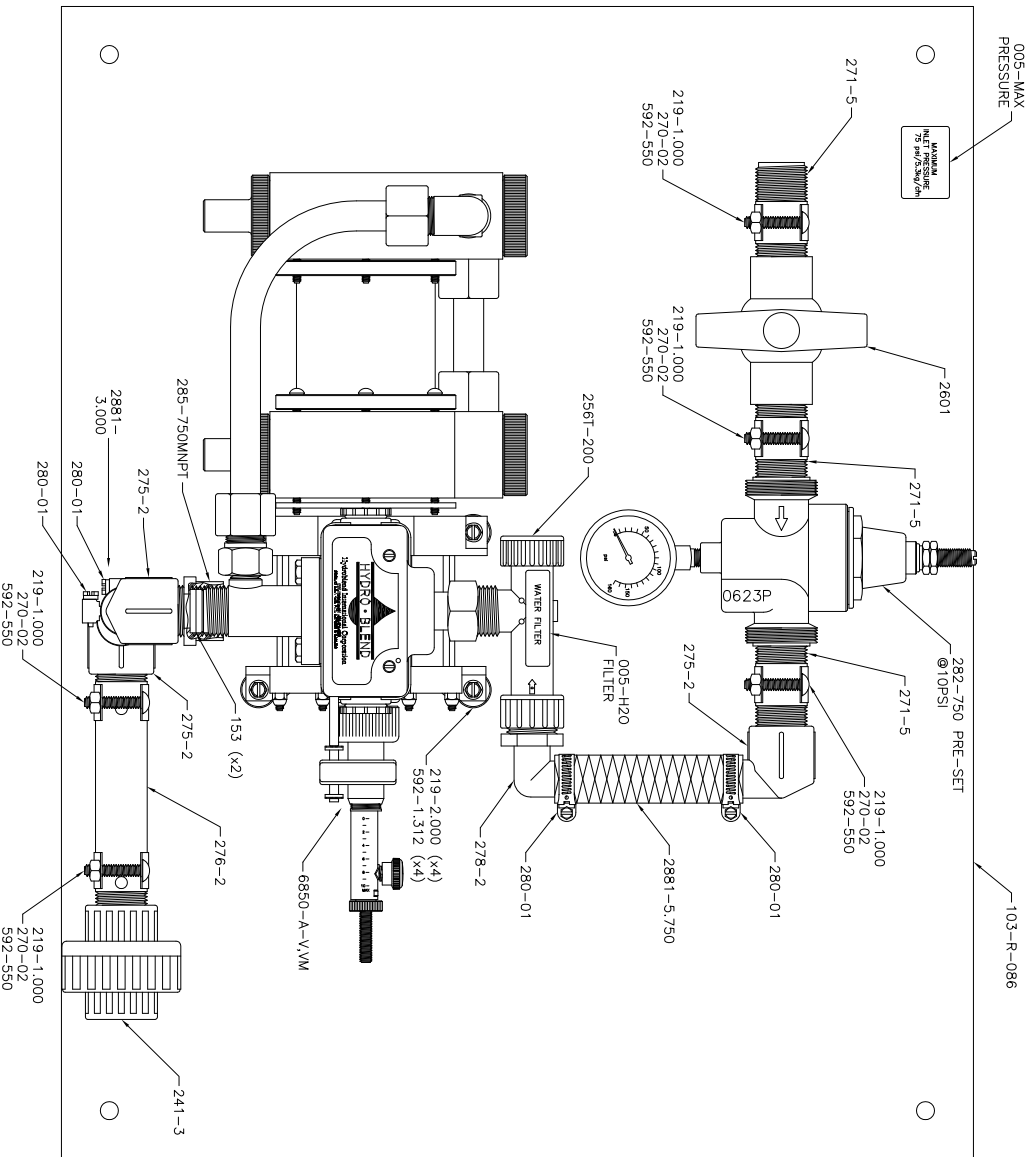


NOTE: HYDRO-BLEND VERTICAL MOUNT SYSTEM PART NUMBERS CONTAIN THE ABBREVIATION "VM"
 THIS ABBREVIATION DENOTES THE SYSTEMS MOUNTING ORIENTATION (SEE PACKING SLIP FOR PUMP NUMBER)

VM = VERTICAL MOUNT - DESIGNED TO MOUNT ON A VERTICAL SURFACE (I.E. A WALL)



SCALE:	SHEET:	DATE:	C:\MUNDOO\GROWN\Open-Mounting-Instructions\086-(850)-VM-Mounting-Instructions.dwg	
NOTED	1 of 1	08/21/07		
DRAWN BY:	CHECKED BY:			
SC	DK			
SERIES:	DESCRIPTION:			
REVISION:	REvised BY:	DATE:		
	SC	12/29/08		
			 5301 SAWYER AVENUE BOISE, ID 83714 PHONE: (208) 375-5000 www.hydroblend.com MOUNTING INSTRUCTIONS -086- VERTICAL MOUNT	



REVISION:

SHIPPING INFORMATION:
 SYSTEM BOX = 001-4
 FOAM PACKAGED (25 x 25 x 20)

SUCTION TUBE ASSY NO.
 = 9288-V

HYDRO-BLEND STAMP LOGO
 MODEL NO. SERIAL NO. STICKER
 LOWER LEFT HAND CORNER OF BOX

OPERATING MANUAL REQUIRED
 PUMP SCHEMATIC REQUIRED
 SYSTEM SCHEMATIC REQUIRED
 9288-V SCHEMATIC REQUIRED
 9564-750-V FOOT VALVE ASSY.
 SCHEMATIC REQUIRED

PART NO. DESCRIPTION QTY.

005-H2O FILTER	Sticker - Water Filter	1
005-MAX PRESSURE	Sticker - Water Inlet - Maximum Inlet Pressure	1
103-R-086	Backplate - 19.0 x 24.0 x .500 Thick - Polypro	1
153	Hose Washer - 3/4-GHT - Red Vinyl	2
219-1,000	Screw - #10 x 1.0 - Hex Washer Head SLTD - Plated	5
219-2,000	Screw - #10 x 2.0 - Hex Washer Head SLTD - Plated	4
241-3	Union - 3/4 FNPT - (Viton O'ring) - Sch 80 PVC	1
256T-200	Tee Housing & Filter Assy - 3/4 FGHT x 3/4 MGHT - (200 Mesh/55 Micron Filter Cartridge)	1
270-02	Clamp, Pipe - 3/4 Dia. - Plated	5
271-5	Nipple - 3/4 MNPT - 2-1/2 Long - Sch 80 PVC	3
275-2	Barb Fitting - 90 Degree - 3/4 FNPT x 3/4 HB - Sch 80 PVC	3
276-2	Nipple - 3/4 MNPT - 6.0 Long - Sch 80 PVC	1
278-2	Barb Fitting - 90 Degree - 3/4 MGHT x 3/4 HB - Polypro	1
280-01	Clamp, Hose - SAE #10 - SST	4
282-750	Regulator, Water Pressure - 3/4 FNPT - 10-35PSI - (Gauge Included)	1
285-750MNP	Adaptor - 3/4 FGHT x 3/4 MNPT - Nylon	1
592-1,312	Spacer - Acetal	4
592-550	Spacer - Acetal	5
2601	Valve, Ball - 3/4 FNPT - (Viton O'ring) - Sch 80 PVC	1
2881-3,000	Nylon Reinforced Hose	1
2881-5,750	Nylon Reinforced Hose	1
6850-A-V,VM	Hydro-Blend Proportioner	1

C:\Autocad\9288V\System\9288-6850-A-V,VM.dwg



5301 SAWYER AVENUE BOISE, ID 83714
 PHONE: (208) 375-5000 www.hydroblend.com

086-6850-A-V,VM

SCALE: 1:4	SHEET: 1 of 1	DATE: 02/15/05
DRAWN BY: SC	CHECKED BY: DK	
SERIES: 7 GPM	DESCRIPTION: 086-System	
REVISION: SC	REvised BY: SC	DATE: 01/03/12