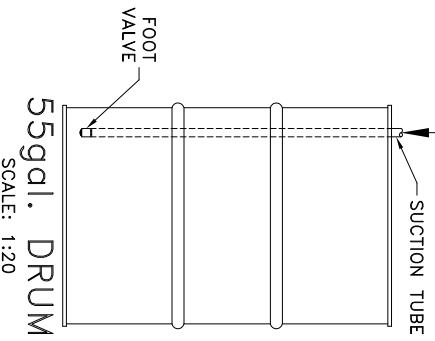
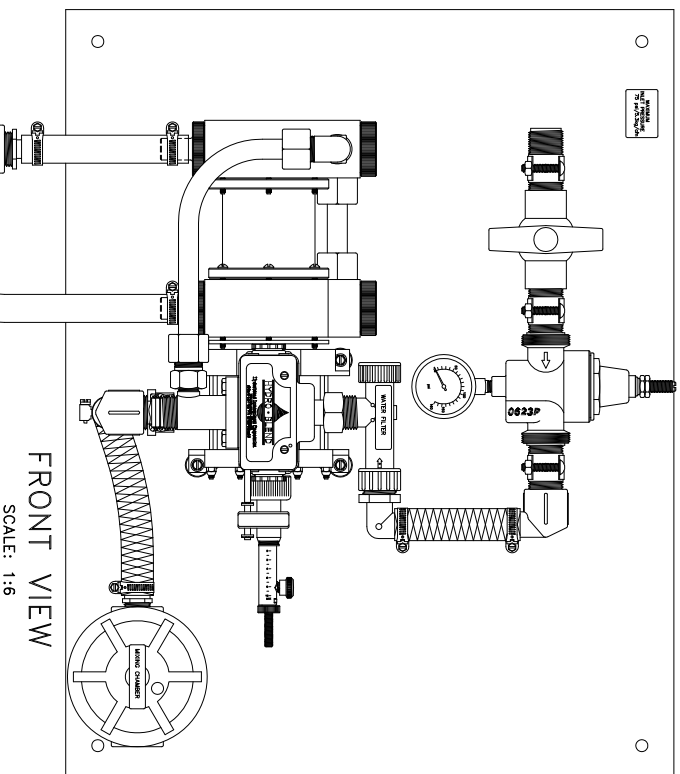
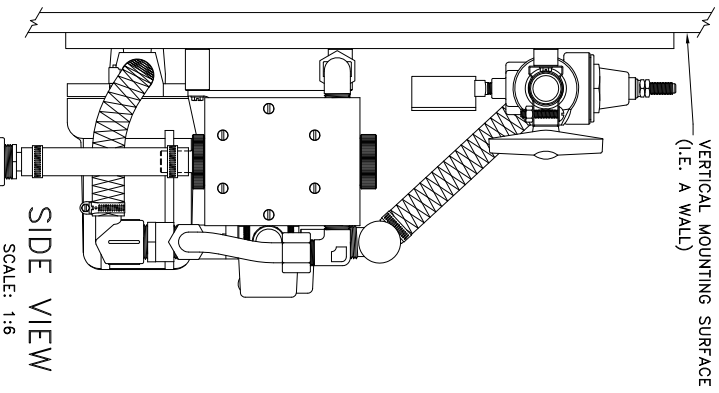


NOTE: HYDRO-BLEND VERTICAL MOUNT SYSTEM PART NUMBERS CONTAIN THE ABBREVIATION "VM"  
 THIS ABBREVIATION DENOTES THE SYSTEMS MOUNTING ORIENTATION (SEE PACKING SLIP FOR PUMP NUMBER)  
**VM = VERTICAL MOUNT - DESIGNED TO MOUNT ON A VERTICAL SURFACE (I.E. A WALL)**



SCALE:	SHEET:	DATE:
NOTED	1 of 1	04/18/08
DRAWN BY:	CHECKED BY:	
SC	DK	
SERIES:	DESCRIPTION:	
DESIGNER:	REvised BY:	DATE:
	SC	06/12/13

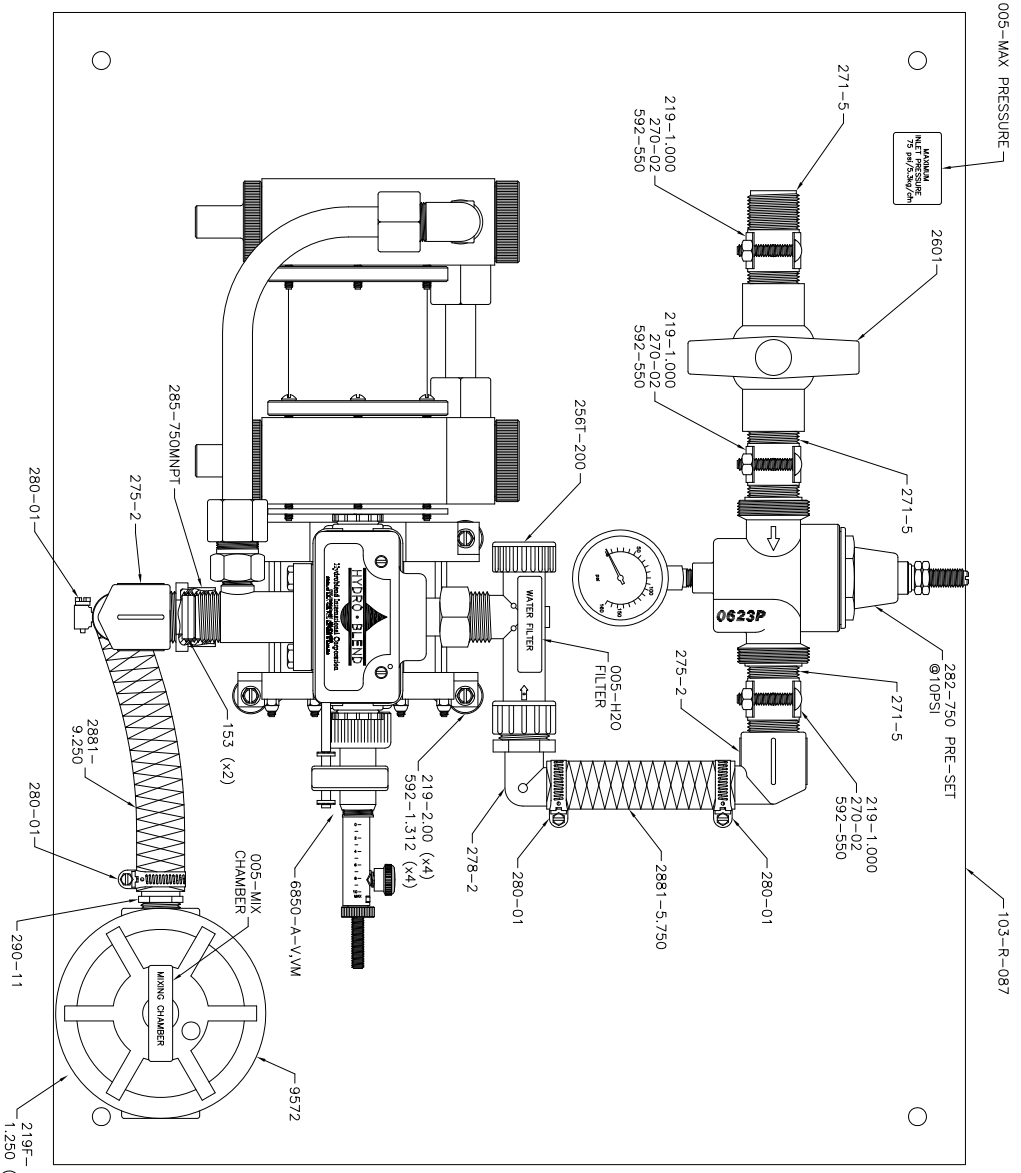
C:\AUTOCAD\DWG\Paper-Work\Mounting-Instructions\_087-(852)-VM-Mounting-Instructions.dwg



5301 SAWYER AVENUE BOISE, ID 83714  
 PHONE: (208) 375-5000 www.hydroblend.com

PART NUMBER:  
**MOUNTING INSTRUCTIONS**  
 -087-  
**VERTICAL MOUNT**

PART NO.	DESCRIPTION	QTY.
005-MAX PRESSURE	LITER	1
005-MAX PRESSURE	Sticker - Water Inlet - Maximum Inlet Pressure	1
005-MIX CHAMBER	Sticker - Mixing Chamber	1
103-R-087	Backplate - 19.0 x 24.0 x .500 Thick - Polypro	1
153	Hose Washer - 3/4-GHT - Red Vinyl	2
219-1.000	Screw - #10 x 1.0 - Hex Washer Head SLTD - Plated	3
219-2.000	Screw - #10 x 2.0 - Hex Washer Head SLTD - Plated	4
219F-1.250	Screw - #10 x 1-1/4 - Flat Head PLPS - Plated	4
256T-200	Tee Housing & Filter Assy - 3/4 FGHIT x 3/4 MGHIT - (200 Mesh/55 Micron Filter Cartridge)	1
270-02		3
271-5		3
275-2		2
278-2		1
280-01	Clamp, Hose - SAE #10 - SST	4
282-750		1
285-750MNPt	Adapt	1
290-11	Barb Fitting - Straight - 1/2 MNPT x 3/4 HB - Sch 80 PVC	1
592-1.312	Spacer - Acetel	4
592-550	Spacer - Acetel	3
2601	Valve, Ball - 3/4 FNPT - (Viton O'ring) - Sch 80 PVC	1
2881-5.750	Nylon Reinforced Hose	1
2881-9.250	Nylon Reinforced Hose	1
6850-A-V,VM	Hydro-Blend Proportioner	1
9572	Mixing Chamber & Jet Assy - 1/2 FNPT	1



REVISION:

SHIPPING INFORMATION:  
SYSTEM BOX = 001-4  
FOAM PACKAGED (25 x 25 x 20)

SUCTION TUBE ASSY NO.  
= 9288-V

HYDRO-BLEND STAMP LOGO  
MODEL NO. SERIAL NO. STICKER  
LOWER LEFT HAND CORNER OF BOX

OPERATING MANUAL = REQUIRED  
PUMP SCHEMATIC = REQUIRED  
SYSTEM SCHEMATIC = REQUIRED  
9288-V SCHEMATIC = REQUIRED  
9564-75-V FOOT VALVE ASSY  
SCHEMATIC = REQUIRED

SCALE:	1:4	SHEET:	1 of 1	DATE:	04/25/08
DRAWN BY:	SC	CHECKED BY:	DK		
SERIES:	7 GPM	DESCRIPTION:	087-System		
REVISION:	SC	REvised BY:		DATE:	06/12/13

C:\Autocad\Drawings\System\087-6850-A-V,VM.dwg



5301 SAWYER AVENUE BOISE, ID 83714  
PHONE: (208) 375-5000 www.hydroblend.com

087-6850-A-V,VM